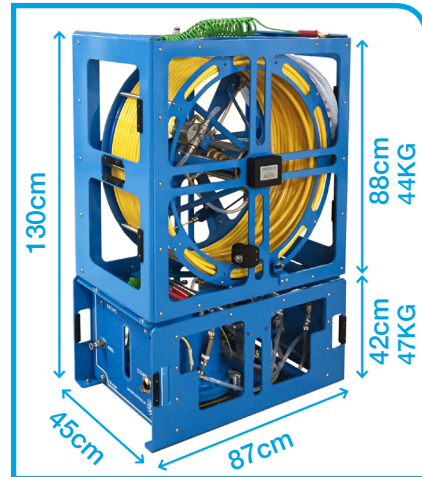




Simultaneously locate and remove water from live gas mains whilst recycling the gas back into the main, reducing excavations, consumer impact and greenhouse gas release.

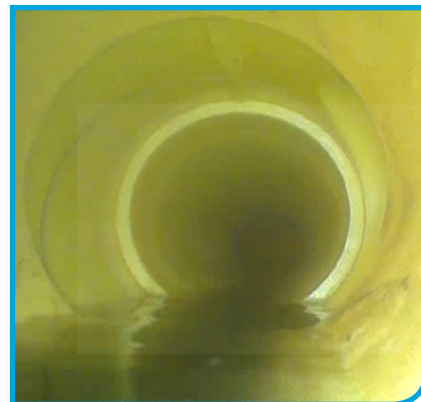
## Water Extraction Technology for Mains

- Significantly reduces quantity of excavations required when compared to traditional methods.
- Accurately locates the source of ingress to enable permanent repair and avoid repeat visits.
- Unique closed-loop system to recycle the gas back into the main or service.
- Compatible with Synthocam3 live gas CCTV systems used by all UK gas networks, keeping investment cost to a minimum.



- Designed for 2 man lift.
- Fits between racking on a standard van
- Reduce excavation and repeat visits.
- Improve customer satisfaction.

- Suitable for use on 'live gas' metallic mains 4" to 10" diameter, and PE mains 90mm to 250mm diameter.
- Standard push distance of up to 100m from a single excavation.
- Recycles gas back into the main, significantly reducing emissions to atmosphere.
- Includes an option to connect bowser system for handling larger volumes of water.
- For use on low pressure up to 75mbarg.



Locate source of water ingress



Remove water continuously



Enable accurate permanent repair



Avoid repeat visits to syphon pots



**CONTACT OUR TEAM TODAY TO DISCUSS YOUR REQUIREMENTS**

**01423 816060 > [info@synthotech.co.uk](mailto:info@synthotech.co.uk) > [www.synthotech.com](http://www.synthotech.com)**

Milner Court, Hornbeam Square South, Hornbeam Park, Harrogate, HG2 8NB